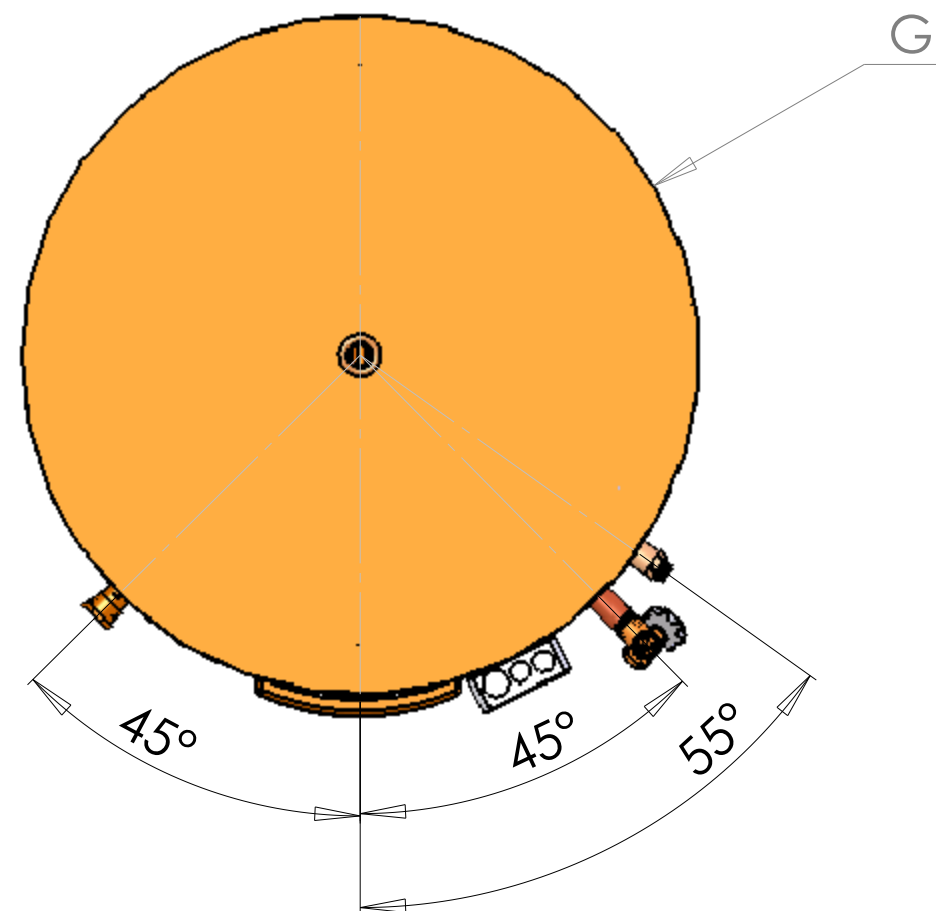
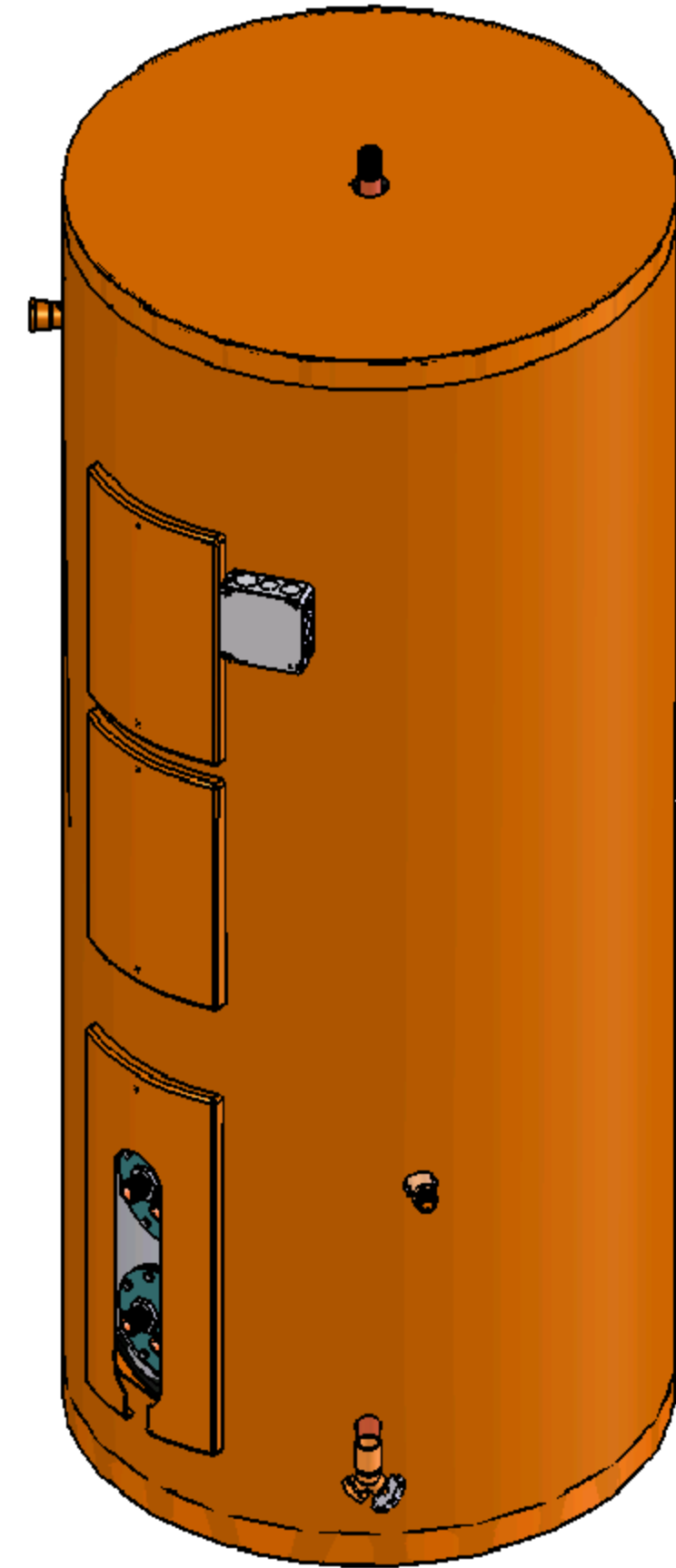
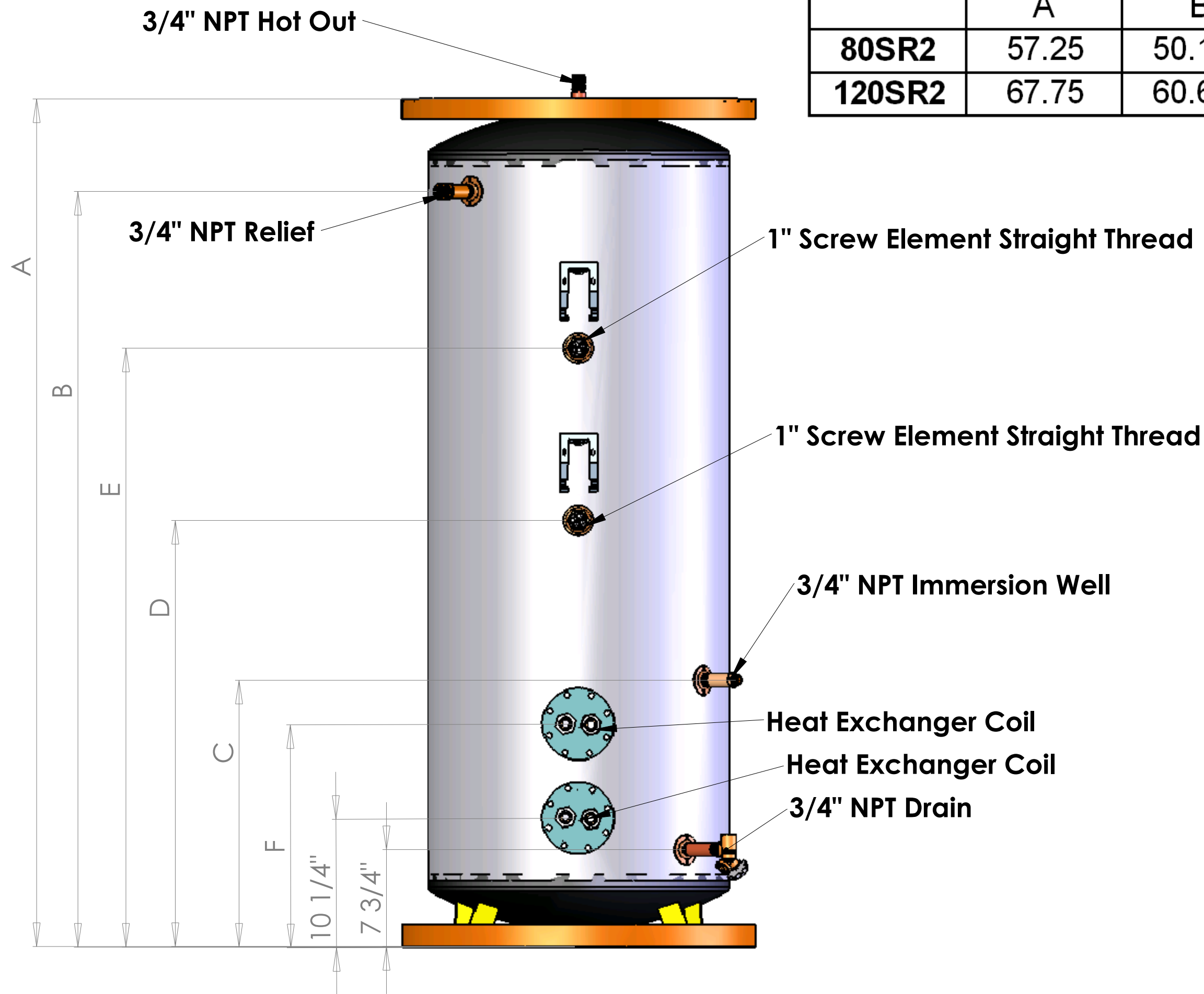


	A	B	C	D	E	F	G
<b>80SR2</b>	57.25	50.125	21.125	N/A	40.5	14.75	26
<b>120SR2</b>	67.75	60.625	21.25	34	47.75	14.75	28



**PROPRIETARY AND CONFIDENTIAL**  
 THE INFORMATION CONTAINED IN THIS DRAWING IS THE SOLE PROPERTY OF <INSERT COMPANY NAME HERE>. ANY REPRODUCTION IN PART OR AS A WHOLE WITHOUT THE WRITTEN PERMISSION OF <INSERT COMPANY NAME HERE> IS PROHIBITED.

		UNLESS OTHERWISE SPECIFIED:	NAME	DATE	<b>Vaughn Manufacturing</b>
		DIMENSIONS ARE IN INCHES	DRAWN		
		TOLERANCES:	CHECKED		TITLE:
		FRACTIONAL: ±	ENG APPR.		<b>SR2 Model Tank</b>
		ANGULAR: MACH ±	MFG APPR.		SIZE DWG. NO.
		TWO PLACE DECIMAL ±	Q.A.		REV
		THREE PLACE DECIMAL ±	COMMENTS:		SCALE: 1:20 WEIGHT:
NEXT ASSY	USED ON	FINISH			
APPLICATION		DO NOT SCALE DRAWING	SHEET 1 OF 1		