

Heat Pump Unit

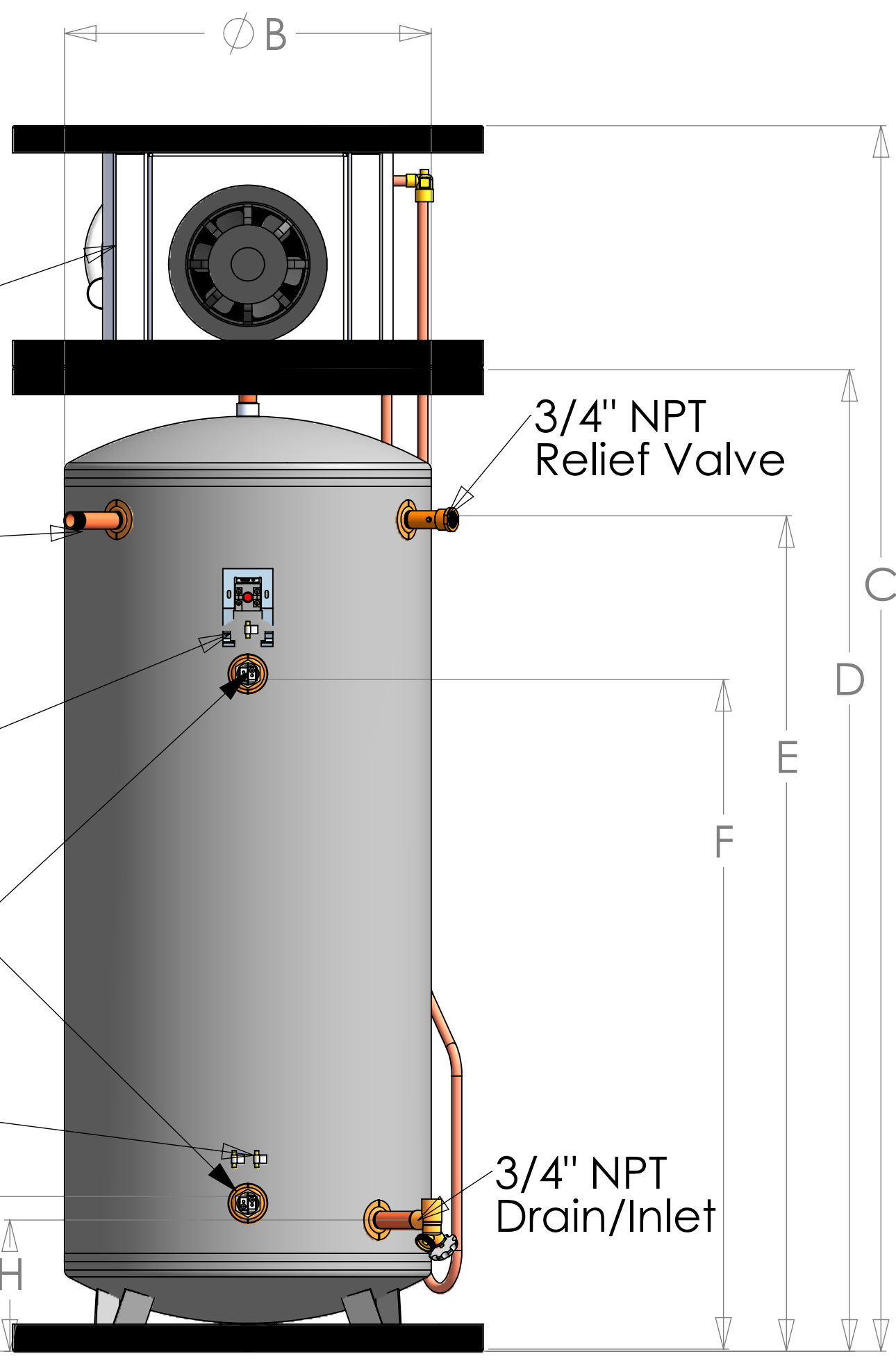
3/4" NPT Hot Out

High Limit Switch & Thermistor Probe

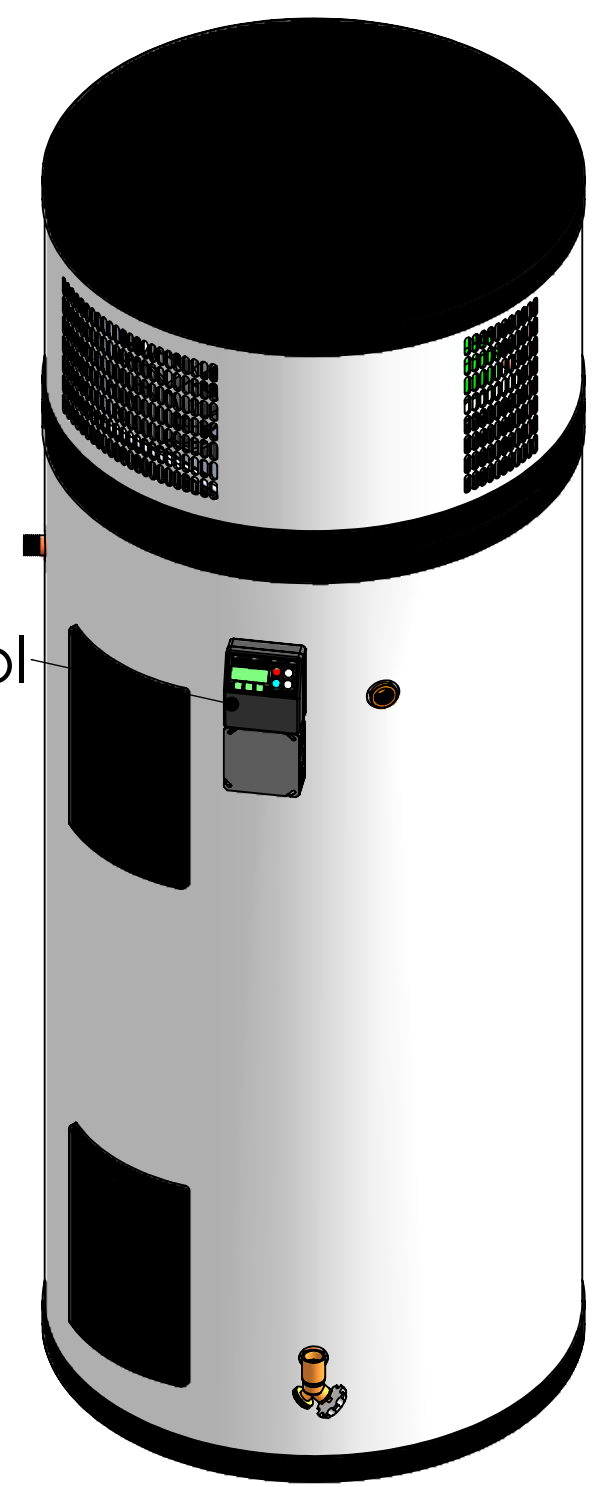
1" NPSM Heating Element

Thermistor Probes

Heat Pump Return
Heat Pump Send



Heat Pump Control



Tank Size	A	B	C	D	E	F	G	H
40	28	22	49	34.75	26.625	20	8.875	7.875
50	25	19	66	51.75	42.875	32.125	8.875	7.875
65	28	22	63	48.5	39.375	32.125	8.875	7.875
80	28	22	73.5	59	49.875	40.625	8.875	7.875
120	30	24	84	69.5	60.25	47.75	8.875	7.875

PROPRIETARY AND CONFIDENTIAL

UNLESS OTHERWISE SPECIFIED:
DIMENSIONS ARE IN INCHES

TOLERANCES:
LINEAR: 1 Decimal Place = ± 0.1
2 Decimal Place = ± 0.01
3 Decimal Place = ± 0.005
ANGULAR: 0 Decimal Place = ± 1.0°
1 Decimal Place = ± 0.5°
INTERPRET GEOMETRIC TOLERANCING PER: Q.A.

MATERIAL:
FINISH:

NAME: RP
DATE: 8/24/2015

DRAWN: []
CHECKED: []
ENG APPR. []
MFG APPR. []
COMMENTS: []
PART NUMBER: []

Vaughn Thermal Corp.
TITLE: Tank Assembly Heat Pump Configurations

SIZE: C
SCALE: 1:12

DWG. NO. []
REV []
SHEETS: 1