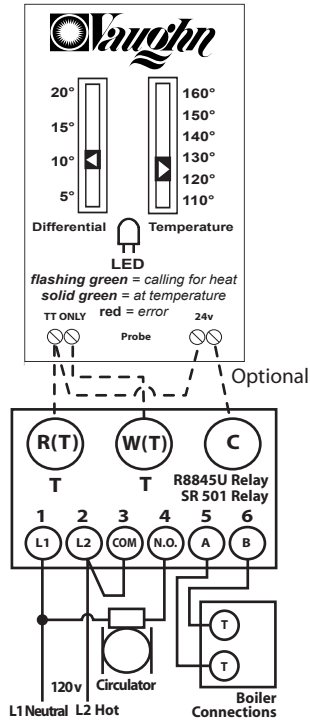
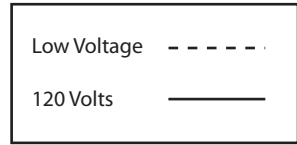


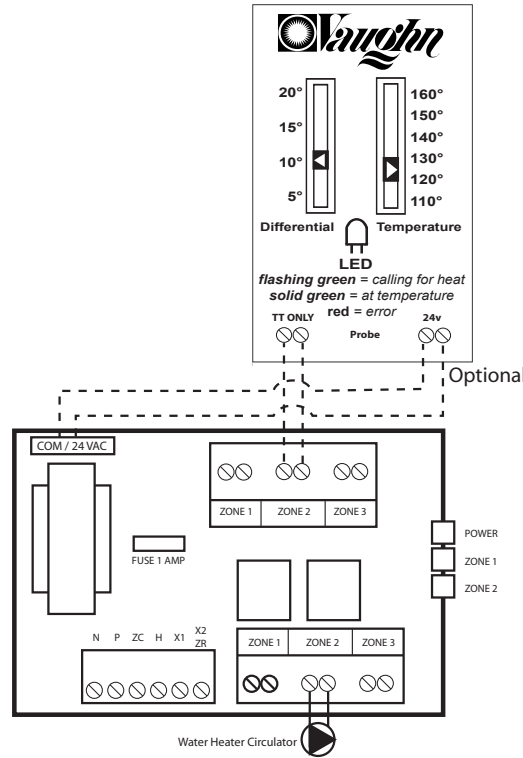
Switching Relay Wiring Diagrams

ETC101 AQUASTAT

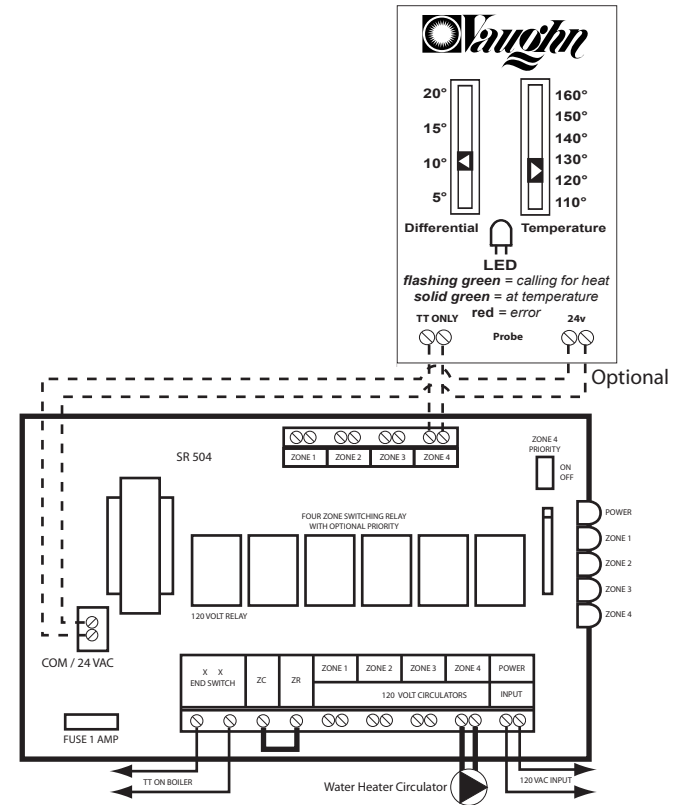
"TT Only" screws must be wired.
 "24v" screws are optional,
 to be used with equipment
 not compatible with power
 stealing aquastats.



Switching Relay R8845U and SR 501



Switching Relay SR-502/503



Switching Relay SR-504 with Priority Option