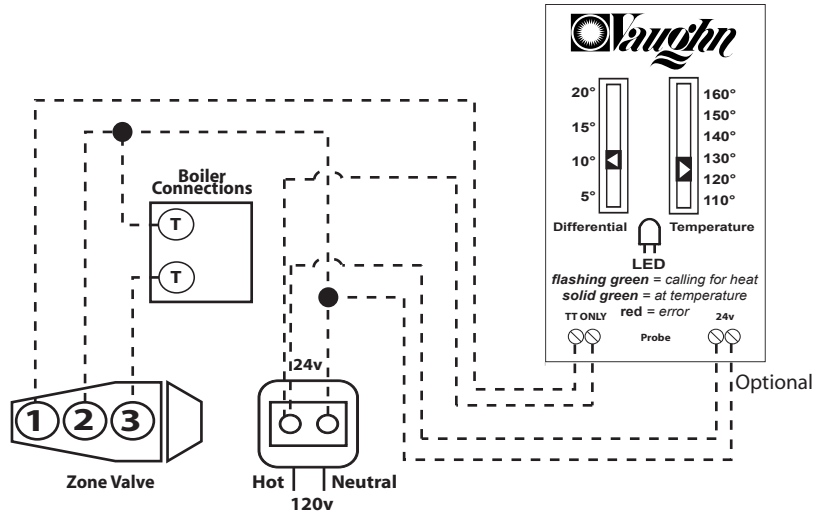


Zone Valve Wiring Diagrams

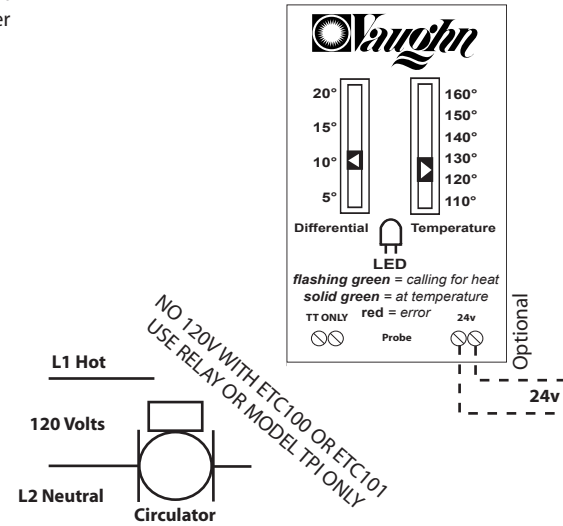


Wiring for Zone Valve

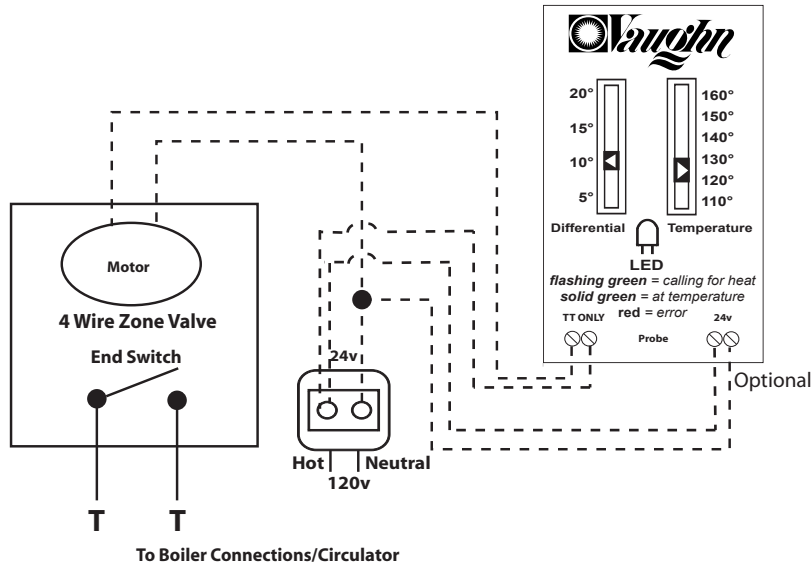
ETC101 AQUASTAT

"TT Only" screws must be wired.
 "24v" screws are optional,
 to be used with equipment
 not compatible with power
 stealing aquastats.

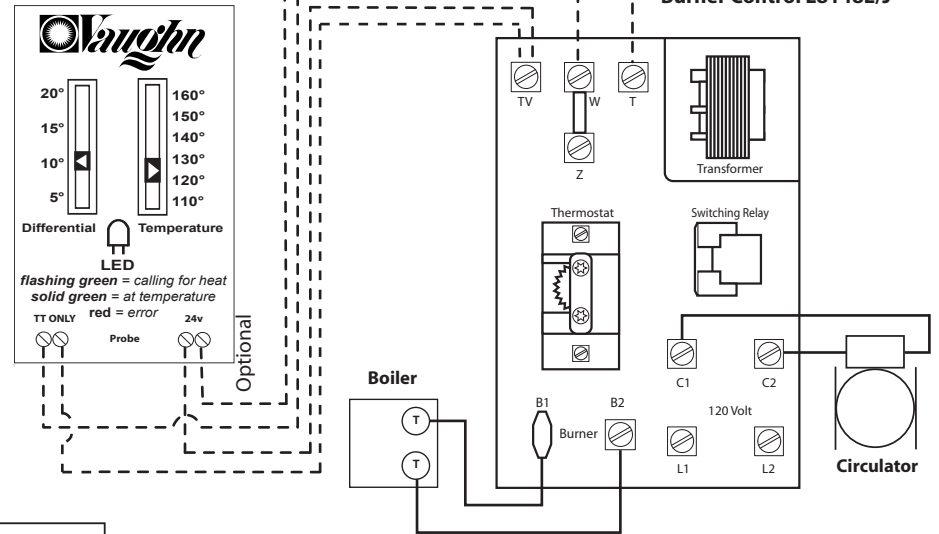
Boiler Wiring Diagrams



Standard Wiring for Circulator with Boiler
 Maintaining a Temperature of 180°



Wiring for 4 Wire Zone Valve



Wiring for Burner Control L8148E and L8148J

